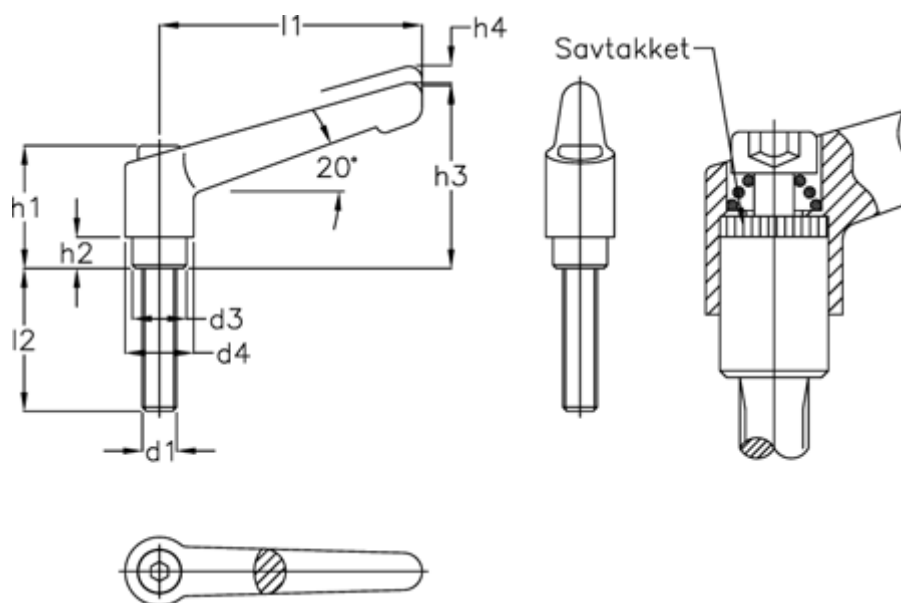


Article number: 201145952

Description: E+G adjustable hand lever
GN 300-45-M5-20-RH uncoated

Measures



d1 = M 5
d3 = 10
d4 = 13
h1 = 24,5
h2 = 4
h3 = 35
h4 = 3,5
l1 = 45

l2 = 20